



Producer: **Copeland**
 Line: **ZS**
 Model: **ZS92K4E-TWD**
 Cooling capacity [kW]: **20.12**
 Displacement [m³/h]: **35.6**
 Refrigerant: **R22, R404A**
 Capacity control: **None**
 Power supply: **400V/3Ph/50Hz**

Data

Technical data

Displacement	[m ³ /h]	35.6
Oil charge	[l]	4.14
Oil type		POE RL32-3MAF
Internal free volume	[dm ³]	20.2
Net weight	[kg]	96.2

Electrical data and limits

Power supply		400V/3Ph/50Hz
Maximum continuous current	[A]	25.1
Locked rotor amperage	[A]	167.0
Motor resistance main	[Ω]	0.83
Maximum suction pressure	[bar]	22.6
Maximum discharge pressure	[bar]	32.0
Maximum suction temperature	[°C]	50.0
Minimum suction temperature	[°C]	-35.0

Dimensions

Suction connection thread diameter	[inch]	1 3/4
Discharge connection thread diameter	[inch]	1 1/4
Length	[mm]	316
Height	[mm]	532
Width	[mm]	357

Other

Approved refrigerants	R22, R404A
Allowed oil types	POE RL32-3MAF, POE MOBIL EAL Arctic 22 CC
Capacity control	None
Protection rating	IP54 (IEC34)

Performance

Nominal conditions: refrigerant: R404A , evaporation (dew point): -10 °C, condensation (dew point): 45 °C, superheating: 10 K, subcooling: 0 °C

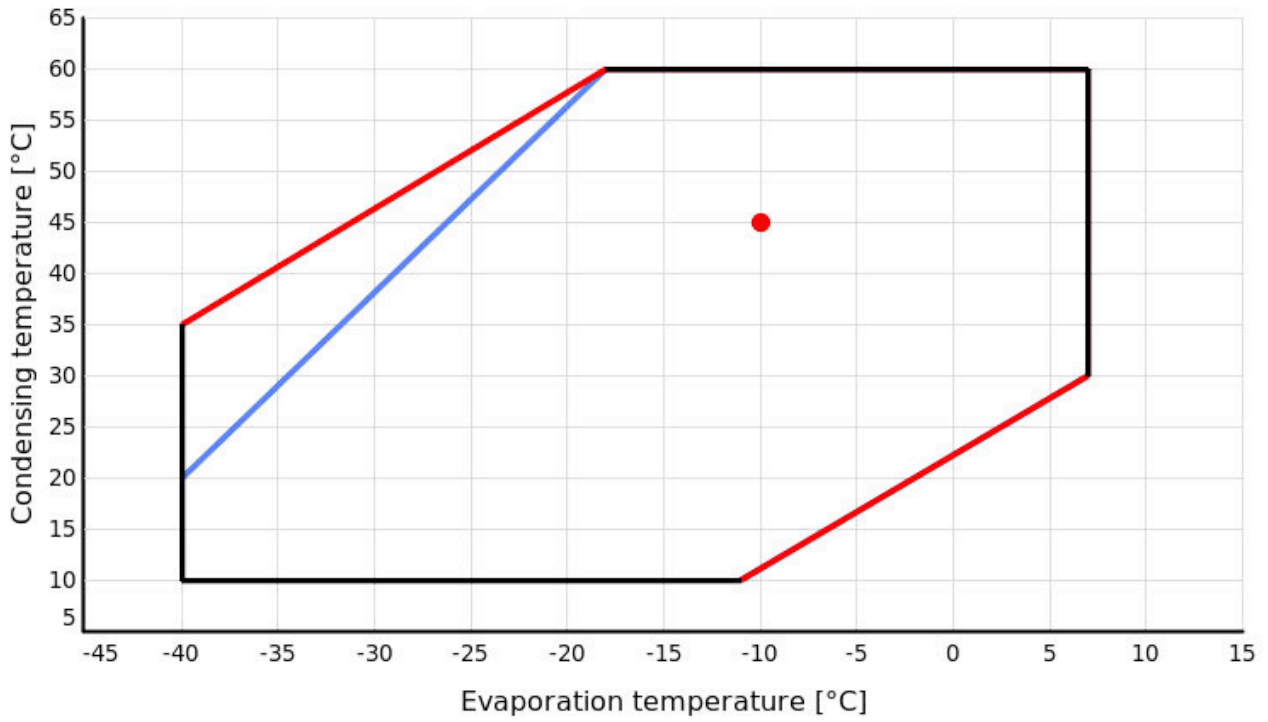
Cooling capacity [kW]

		Evaporation temperature [°C]										
		-40	-35	-30	-25	-20	-15	-10	-5	0	5	7
Condensation temperature [°C]	10	9.66	11.81	14.53	17.88	21.95	26.81					
	15	8.77	10.90	13.56	16.80	20.71	25.37	30.86				
	20	7.95	10.05	12.63	15.75	19.49	23.94	29.16	35.24			
	25	7.18	9.24	11.73	14.71	18.28	22.49	27.45	33.22	39.87		
	30	6.45	8.46	10.85	13.68	17.05	21.03	25.70	31.14	37.43	44.63	47.78
	35	5.76	7.71	9.98	12.65	15.80	19.53	23.90	29.01	34.93	41.72	44.70
	40		6.96	9.10	11.59	14.53	17.98	22.05	26.80	32.33	38.71	41.52
	45			8.20	10.51	13.20	16.38	20.12	24.50	29.63	35.59	38.22
	50				9.38	11.82	14.70	18.10	22.11	26.82	32.33	34.78
	55					10.37	12.94	15.98	19.60	23.89	28.94	31.21
60						11.08	13.75	16.96	20.81	25.40	27.47	

Power consumption [kW]

		Evaporation temperature [°C]										
		-40	-35	-30	-25	-20	-15	-10	-5	0	5	7
Condensation temperature [°C]	10	3.92	4.22	4.52	4.85	5.21	5.62					
	15	4.29	4.61	4.93	5.26	5.61	5.99	6.43				
	20	4.63	5.00	5.34	5.68	6.03	6.41	6.82	7.28			
	25	4.97	5.38	5.76	6.13	6.49	6.86	7.26	7.70	8.19		
	30	5.28	5.76	6.19	6.60	6.98	7.37	7.76	8.18	8.65	9.17	9.40
	35	5.58	6.14	6.64	7.09	7.51	7.91	8.32	8.74	9.19	9.68	9.89
	40		6.52	7.09	7.60	8.07	8.51	8.94	9.37	9.81	10.28	10.48
	45			7.55	8.14	8.67	9.16	9.62	10.07	10.52	10.98	11.18
	50				8.71	9.31	9.85	10.36	10.84	11.31	11.79	11.98
	55					9.99	10.60	11.17	11.69	12.20	12.69	12.89
60						11.41	12.04	12.63	13.17	13.69	13.90	

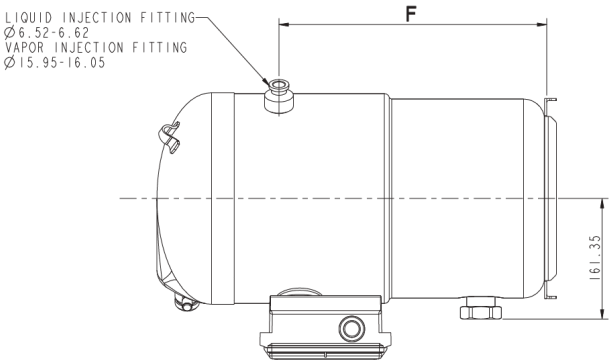
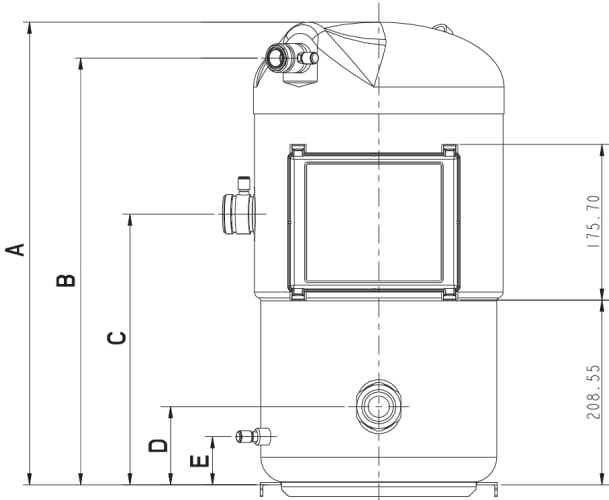
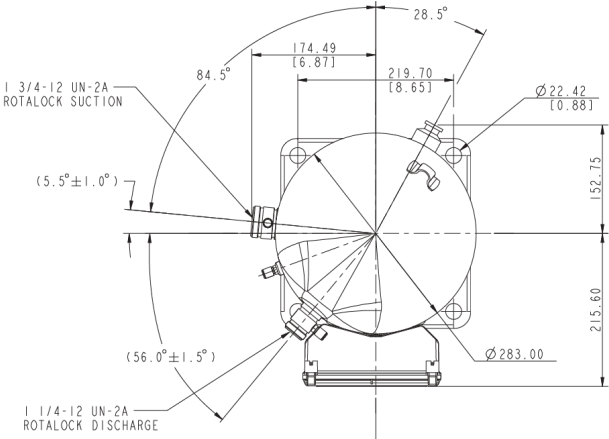
Application range



Legend

- Suction gas superheating: 10 K
- Suction gas temperature: 25°C
- Current operating conditions

Dimensions



Dimensions

Dimension A	[mm]	532,4
Dimension B	[mm]	491,89
Dimension C	[mm]	305,6
Dimension D	[mm]	88,4
Dimension E	[mm]	54,5